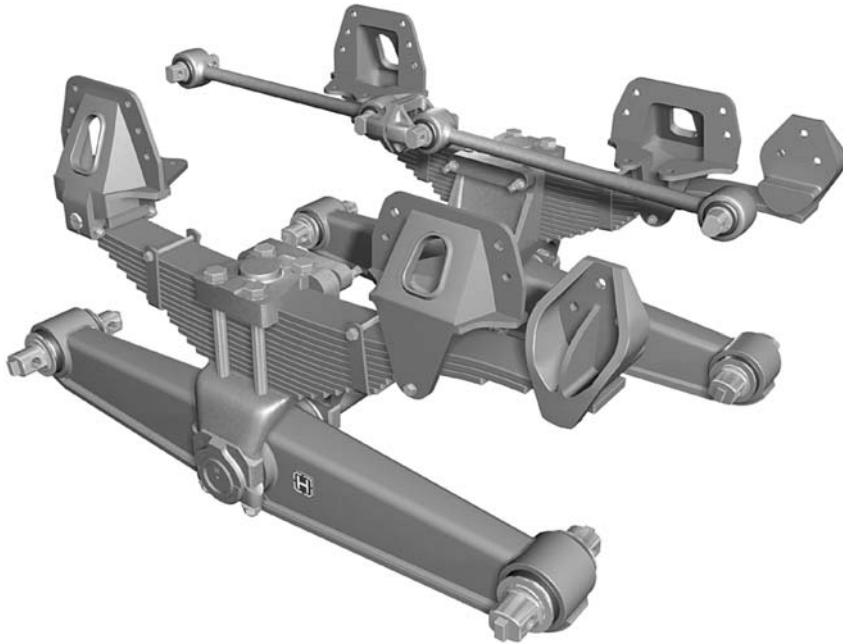


# **SELECTION GUIDE**

## **RT/RTE SPRING HANGER™**

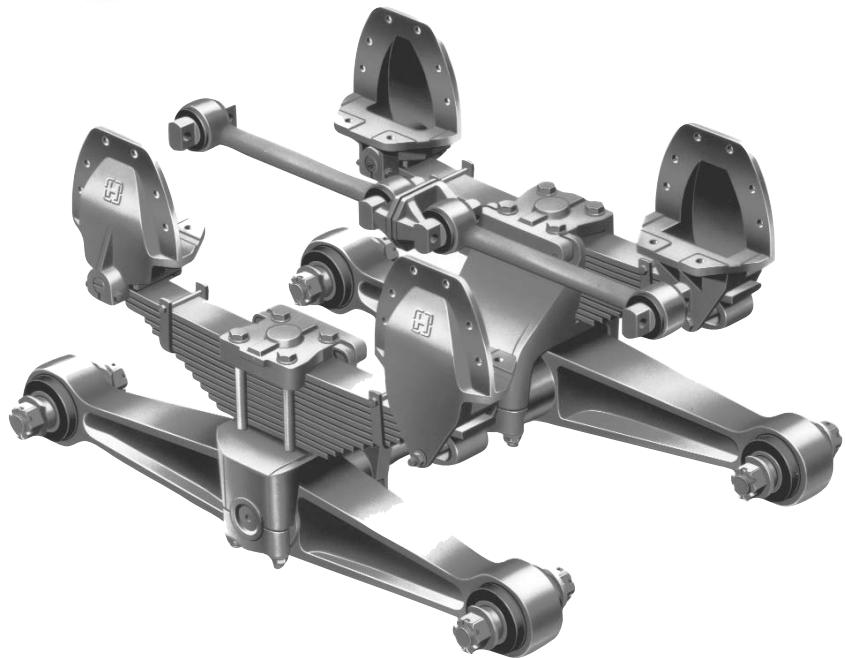
LIT NO: 45745-038

DATE: November 2003 REVISION: D



**RTE**

**RT 650**

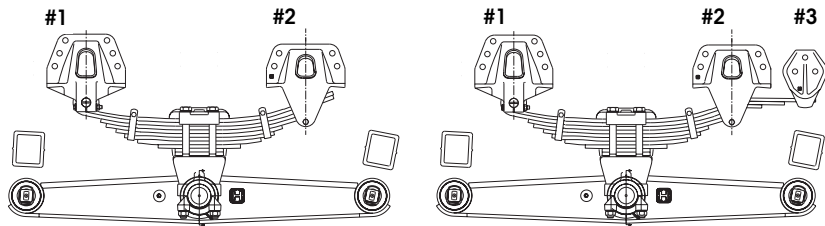




# INTRODUCTION/INSTRUCTIONS

This RT/RTE Frame Hanger guide is intended to aid in the proper identification of originally equipped RT/RTE/RU/RUE/U/E drilled hangers in the aftermarket. It lists common drill patterns and castings.

1. SPRING HANGER DESIGN (See below)
2. Measure the outside to outside frame width.
3. See HOLE PATTERN DIMENSIONS and Spring Pin Diameter below.
4. Identify the age of the vehicle.
5. Obtain the cast part number and
6. Identify the truck manufacturer.



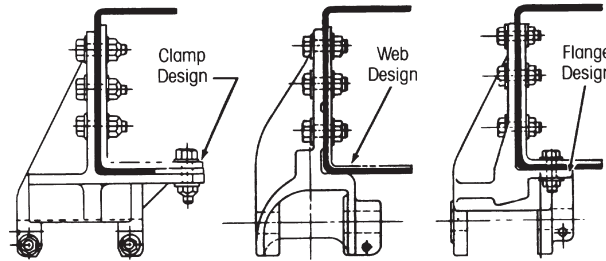
**RT Series Spring hangers**

**RTE Series Spring Hangers**

For any casting number not shown or truck manufacturer not listed, contact our Sales Engineering Department. 630.910.2800

## SPRING HANGER DESIGN

Three hanger designs are shown below. They vary in the attachment to the lower frame flange.



### Clamp Design

Bolts inboard of the frame rail. No holes in the lower frame flange.

### Web Design

Bolts into frame web only.

### Flange Design

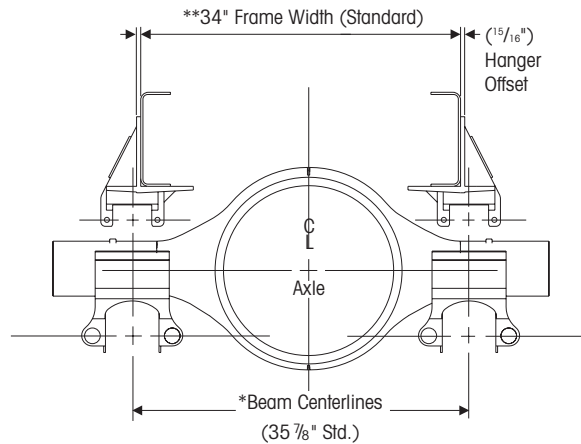
Bolts through the frame lower flange. (Do not use on high tensile steel frames.)

## FRAME WIDTHS

\*Standard width of rear tandem drive axles have a beam hanger spacing of 35<sup>7</sup>/<sub>8</sub>".

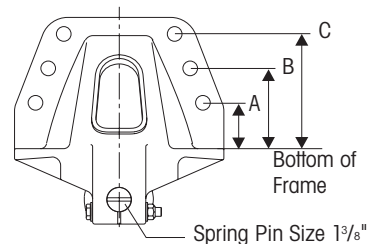
\*\* To maintain the correct alignment of frame & axle, spring hanger offsets vary with chassis frame widths.

Frame Widths	Spring Hanger Offsets
34"	1 <sup>5</sup> / <sub>16</sub> "
34 <sup>1</sup> / <sub>2</sub> "	1 <sup>1</sup> / <sub>16</sub> "



## HOLE PATTERN DIMENSIONS

Common Hole Patterns	A	B	C
Clamp, Web and flange, 6-Hole	2 <sup>9</sup> / <sub>16</sub> "	5 <sup>3</sup> / <sub>8</sub> "	7 <sup>5</sup> / <sub>8</sub> "
Clamp, 6-Hole	2 <sup>9</sup> / <sub>16</sub> "	4 <sup>1</sup> / <sub>2</sub> "	6 <sup>7</sup> / <sub>16</sub> "
Web, 4-Hole	2 <sup>9</sup> / <sub>16</sub> "	5 <sup>3</sup> / <sub>8</sub> "	
Web, 3-Hole	1 <sup>7</sup> / <sub>8</sub> "	4"	

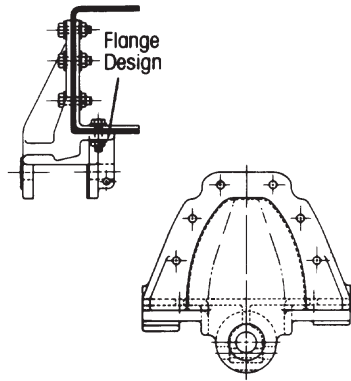


**NOTE:** For clamp and web mount spring hangers Hendrickson recommends a minimum 5/8" Grade 8 bolt with Grade C locknut and hardened washers be used to attach spring hangers to the main frame of the vehicle. With older model vehicles this may require that the holes in the frame be enlarged to accommodate the 5/8" fasteners. Refer to Technical Publications covering the RT/RTE Series suspensions for proper installation.



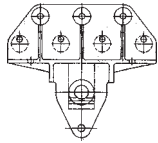
#1 SPRING HANGER

FLANGE MOUNT



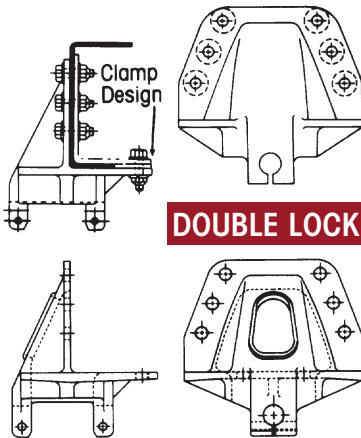
CASTING No.	1 1/4" PIN SIZE		REPLACEMENT PART No.	REMARKS	1 3/8" PIN SIZE		REPLACEMENT PART No.	REMARKS	
	PART No.	PART No.			PART No.	PART No.			
04666-000	04666-000	47725-001	25641-000		47725-003				
	15582-000	47725-001			26697-000				47725-003
	24932-000	47725-001			28965-000				47725-003
05810-000	05810-000	05810-000		Obs.	19491-000			Obs.	
	08387-000				Obs.				
09170-000	09170-000	09170-000			25601-000				
	30539-000				27161-001/-002				25601-000
19818-000					19818-000			Obs.	
19873-000	19873-000	09170-000			27318-000		25601-000		
19874-000	19874-000	09170-000			27322-000		25601-000		
21554-000					21554-000		34977-000	Obs.	
21913-000	21913-000	09170-000							
25845-000	25845-000	09170-000			28287-000		25601-000		
30285-000					30285-000				
					34977-000			Obs.	
44994-000				Obs.	44989-000			Obs.	
45176-000	45177-000			Obs.					

FLANGE MOUNT RT 650



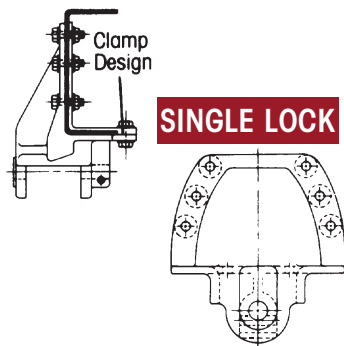
CASTING No.	1 1/2" PIN SIZE PART No.	REMARKS
09474-000	32700-001	Obs.
	32700-002	Obs.
	42750-000	

CLAMP MOUNT



CASTING No.	1 1/4" PIN SIZE		REPLACEMENT PART No.	REMARKS	1 3/8" PIN SIZE		REPLACEMENT PART No.	REMARKS
	PART No.	PART No.			PART No.	PART No.		
46840-000		50180-000			46840-001		50181-001	Ford only
					46841-002		50181-002	
					46841-003		50181-003	Peterbilt only
46842-000		50188-000			46843-001		50189-001	Ford only
					46843-003		50189-003	
					46843-004		50189-004	Freightliner only
					47874-001		50185-001	Mack/Volvo
50180-000					50181-001		50181-002	Ford only
					50181-003		Peterbilt only	
					50181-004		Navistar only	
					50181-005		Mack only	
					50185-001		Mack/Volvo	
50184-000					50185-002		50185-003	Freightliner
					50189-001		Ford only	
					50189-003			
50188-000					50189-004		50189-006	Freightliner only
					50189-004		Navistar only	
					50189-006		Volvo only	
					59755-001			
59754-000								

CLAMP MOUNT

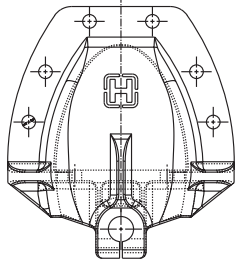


CASTING No.	1 1/4" PIN SIZE		REPLACEMENT PART No.	REMARKS	1 3/8" PIN SIZE		REPLACEMENT PART No.	REMARKS
	PART No.	PART No.			PART No.	PART No.		
20395-000	20395-000	43181-004			24311-000		34013-096	
	25914-000	43181-004			25913-000		34013-096	
	45014-000	43181-004			32503-000		34013-096	
					44893-000		34013-096	
					45404-001/-002		34013-096	
24496-000	24496-000	31345-000			26791-000		31346-000	
	31345-000				29189-000		31346-000	
					31346-000			
28641-000	30083-000							Obs.
43180-000					45729-001		34013-094	Mack, Volvo
					45729-002		34013-094	Volvo
					45729-003		34013-094	Mack
45159-000	43181-004				43181-003		34013-096	GMC, Mack, Volvo
45527-000					45528-001		34013-093	Ford only
					45736-001		34013-095	



#1 SPRING HANGER (Continued)

CLAMP MOUNT RT 650

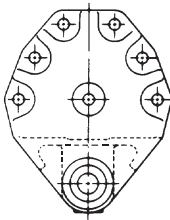
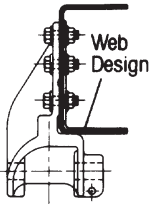


CASTING No.	1 1/2" PIN SIZE PART No.	REMARKS
45789-000	45790-001	Crane Carrier, GMC, Oshkosh, Peterbilt, Volvo, Freightliner
	45790-002	Peterbilt
	45790-003	Peterbilt
	45790-004	Volvo
46548-000	46549-001	Oshkosh, Peterbilt, Volvo
	46549-002	Ford, GMC
	46549-003	International, Volvo
	46549-004	Freightliner, Western Star
	46549-005	GMC, International
	46549-006	Kenworth
	46549-007	Volvo
	46549-008	Peterbilt
35434-000	45444-000	Obs.
46093-001	46094-001	Volvo Replaced by 45029-001
46093-002	46094-002	Volvo Replaced by 45029-002
09474-000	45161-001	Oshkosh Obs.
	45161-002	Oshkosh Obs.
	45768-001	Obs.
	45768-002	Obs.
	47381-001	Kenworth
	47381-002	Kenworth
33796-000	47383-000	Kenworth
	33798-000	GMC, International, Volvo Obs.
	45416-000	Ford Obs.

UNDER MOUNT RT 650

CASTING No.	1 1/2" PIN SIZE PART No.	REMARKS
11063-001	11063-001	Crane Carrier, FWD, International Obs.

WEB MOUNT

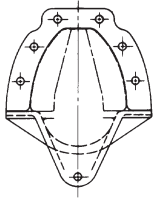


CASTING No.	1 1/4" PIN SIZE		REMARKS	1 3/8" PIN SIZE		REMARKS
	CASTING No.	REPLACEMENT PART No.		CASTING No.	REPLACEMENT PART No.	
26741-001	26742-001	26742-003	27/16" hole location			
	26742-003					
	26742-005	26742-015				
	26742-007	26742-003				
	26742-009	26742-003	27/16" hole location			
	26742-011	26742-003				
	26742-013	26742-003				
	26742-015					
26741-002	26742-002	26742-004	27/16" hole location			
	26742-004	26742-016				
	26742-006					
	26742-008	26742-004				
	26742-010	26742-004	27/16" hole location			
	26742-012	26742-004				
	26742-014	26742-004				
	26742-016					
31013-000	31009-001		31124-001			
			35394-001		Dodge only	
31026-000	31128-001			31128-004		
	31128-002	31128-001				
	31128-003	31128-001				
	35909-001		Dodge only			
33161-000	33163-002			33163-001		
	35909-003	33163-002				

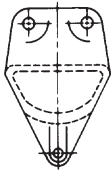


## #2 SPRING HANGER

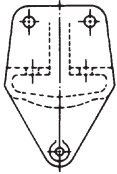
## FLANGE MOUNT



CASTING No.	PART No.	REPLACEMENT PART No.	REMARKS
04667-000	04667-000	57334-000	Obs.
	15583-000	57334-000	Obs.
	24933-000	57334-000	Obs.
	28966-000	57334-000	Obs.
05811-000	05811-000		Obs.
09171-000	09171-000		Obs.
	19421-000	09171-000	Obs.
25846-000	25846-000		Obs.
	30843-000		Obs. No holes in bottom flange
45178-000	45179-000		Obs.

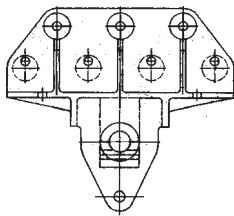
FLANGE MOUNT  
2-BOLT PATTERN

CASTING No.	PART No.	REPLACEMENT PART No.	REMARKS
27268-000	21655-004		
	29437-001	21655-004	
	29437-002		Mack only

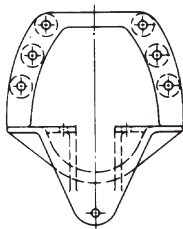
FLANGE MOUNT  
2-BOLT PATTERN  
EXTENDED LEAF

CASTING No.	PART No.	REPLACEMENT PART No.	REMARKS
30173-000	28054-001		
	28054-002	28054-001	
	28054-003		Brockway only

## FLANGE MOUNT RT 650



CASTING No.	1 1/2" PIN SIZE PART No.	REPLACEMENT PART No.	REMARKS
09474-000	32700-001		Obs.
	32700-002		Obs.
	42750-000		

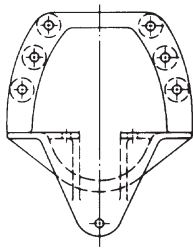
CLAMP MOUNT  
FLAMED HARDENED  
SEVERE SERVICE

CASTING No.	FLAME HARDENED PART No.	REPLACEMENT PART No.	REMARKS
48592-001	48602-001	57625-001	Ford
	48602-002	57625-003	All others
	48602-003	57625-004	Freightliner only
48581-001	48598-001	57594-001	Ford
	48598-002	57594-002	All others
	48598-003	57594-003	Peterbilt only
49229-001	49230-001	47875-001	Mack/Volvo
57624-001	57625-001		Ford
	57625-003		All others
	57625-004		Freightliner only
	57593-001	57594-001	Ford
57593-001	57594-002		All others
	57594-003		Peterbilt

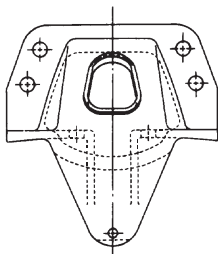
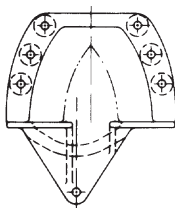
## #2 SPRING HANGER (Continued)



## CLAMP MOUNT



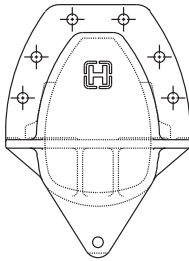
CASTING No.	PART No.	REPLACEMENT PART No.	REMARKS
20396-000	20396-000	32517-000	
	25915-000	32517-000	
	32517-000		
24497-000	24497-000	31347-000	Obs.
	31347-000		Obs.
35399-001	35400-001		International only
35399-001	35400-002		International only
35399-003	35400-003		International only
43182-000	45730-001	47875-001	Mack, Volvo
	45730-002	47875-001	Volvo
	45730-003	47875-001	Mack
45160-000	43183-003	57625-003	GMC, Mack, Volvo
	43183-004	57625-003	
45529-000	45530-001	57594-001	Ford only
	45737-001	57594-002	
	45737-002	57594-003	AM General
	45737-003	57594-004	
45732-000	45734-000		International only
45733-000	45735-000		International only
46049-000	46050-001	57625-001	Ford only
	46050-003	57625-003	
	46050-004	57625-004	Freightliner only
47073-000	47074-001	57625-003	
47075-000	47076-001	57594-001	Ford only
	47076-002	57594-002	
	47076-003	57594-003	Peterbilt only
	47076-004	57594-004	AM General
47865-000	47875-001		Mack/Volvo
50182-000	50183-001		Ford only
	50183-002		
	50183-003		Peterbilt only
	50183-004		International only
	50183-005		Mack only
50186-000	50187-001		Mack/Volvo
	50187-002		Freightliner
	50187-003		Mack
50190-000	50191-001		Ford only
59756-000	50191-003		
	50191-004		Freightliner only
	50191-006		International only
	59757-001		Volvo only

CLAMP MOUNT  
EXTENDED LEAF

CASTING No.	PART No.	REPLACEMENT PART No.	REMARKS
24482-001	24482-001	35016-011	
	24482-003	35016-011	
	24482-005	35016-011	
	31350-001	35016-011	
		35016-011	
24482-002	24482-002	35016-012	
	24482-004	35016-012	
	24482-006	35016-012	
	31350-002	35016-012	
		35016-012	
35401-001	35402-001		International only
35401-002	35402-002		International only
35401-003	35401-003		International only
35403-001	35404-001		International only
35403-002	35404-002		International only
35403-003	35404-003		International only
34986-001	35016-005	35016-011	
	35016-007	35016-011	
	35016-009	35016-011	
	35016-011		
	35016-013	35016-011	
34986-002	35016-006	35016-012	
	35016-008	35016-012	
	35016-010	35016-012	
	35016-012		
	35016-016	35016-012	
		35016-012	



## CLAMP MOUNT RT 650

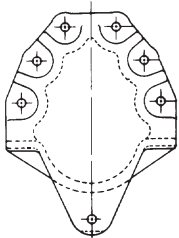


CASTING No.	1 1/2" PIN SIZE PART No.	REMARKS
45791-000 or 50595-000	45792-001	Crane Carrier, GMC, Oshkosh, Peterbilt, Volvo, Freightliner
	45792-002	Peterbilt only
	45792-003	Peterbilt
	45792-004	Volvo
	50595-001	Replaced by 45792-001
46550-000 or 57795-000	46551-001	Oshkosh, Peterbilt, Volvo
	46551-002	Ford, GMC
	46551-003	International, Volvo
	46551-004	Freighliner
	46551-005	GMC, International
	46551-006	Kenworth
	46551-007	Volvo
	46551-008	Peterbilt
	57796-001	Replaced by 46551-004
33796-000	33496-000	Obs.
	33494-000	GMC, International, Volvo Obs.
	42501-000	Obs.
	45417-000	Ford Obs.
	45445-000	Volvo Obs.
	47098-000	International Obs.
46093-001	46094-001	Volvo Replaced by 45029-001
46093-002	46094-002	Volvo Replaced by 45092-002
09474-000	45161-001	Oshkosh Obs.
	45161-002	Oshkosh Obs.
	45768-001	Obs.
	45768-002	Obs.
	47381-001	Kenworth
	47381-002	Kenworth
	47383-000	Kenworth

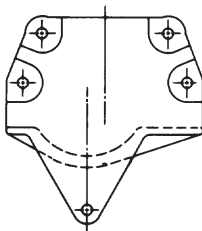
## UNDER MOUNT RT 650

CASTING No.	1 1/2" PIN SIZE PART No.	REMARKS
11063-001	11063-001	Crane Carrier, FWD, International Obs.

## WEB MOUNT



CASTING No.	PART No.	REPLACEMENT PART No.	REMARKS
31014-000	31125-001		
	35395-001		Dodge only
31027-000	31129-001		
	31129-002	31129-001	
	35910-001		Dodge only
33162-000	33164-001		
	35910-003		
35151-001	35152-001		GMC only
	35152-002		
	35152-003	35152-001	Dodge only Obs.

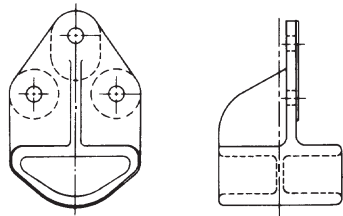
WEB MOUNT  
EXTENDED LEAF

CASTING No.	PART No.	REPLACEMENT PART No.	REMARKS
26753-001	26759-001	26759-011	
	26759-003		27/16" hole location
	26759-005	26759-011	
	26759-007	26759-011	
	26759-009	26759-011	
	26759-011		
26753-002	26759-002	26759-012	
	26759-004		27/16" hole location
	26759-006	26759-012	
	26759-008	26759-012	
	26759-010	26759-012	
	26759-012		
31015-001	31126-001		
	31126-003	31126-001	
31015-002	31126-002		
	31126-004	31126-002	

# #3 SPRING HANGER

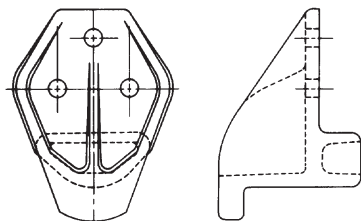


## WITHOUT AXLE STOP



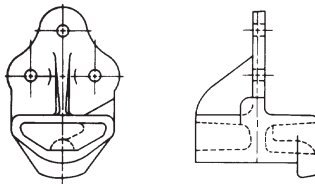
CASTING No.	PART No.	REPLACEMENT PART No.	REMARKS
26727-000	26727-000	27761-006	
	27761-001	27761-008	
	27761-002		1 3/8" hole location
	27761-003	27761-006	
	27761-004	27761-008	
	27761-005	27761-006	
	27761-006		1 7/8" hole location
	27761-007	27761-008	
27761-008		2 1/4" hole location	
34987-000	45213-000	27761-006	
45321-000	31042-000		Ford only
46278-001	46043-000		
47313-000	47610-000		Ford only

## WITH AXLE STOP OUTBOARD



CASTING No.	PART No.	REPLACEMENT PART No.	REMARKS
46289-001	46331-001		Ford, GMC
	46331-005	46331-001	Ford GMC
	46331-010	46331-001	GMC, Western Star
46278-002	46331-002		Ford, GMC
	46331-004		Freightliner GMC
	46331-006		Ford GMC
	46331-008		Freightliner only
46278-003	46331-003		GMC, Western Star
47313-000	46331-007		Ford GMC
	46331-013		Peterbilt only
49251-000	46331-011		Ford GMC
	46331-014		Peterbilt only

## WITH AXLE STOP INBOARD



CASTING No.	PART No.	REPLACEMENT PART No.	REMARKS	CASTING No.	PART No.	REPLACEMENT PART No.	REMARKS
30248-001	30249-001		Obs.	35397-001	35398-001		International only
	30249-009		Volvo only	35397-002	35398-002		
	30249-014		Obs.	35397-003	35398-003		
30248-002	30249-002	30249-021		35397-004	35398-004		Obs.
	30249-010		Volvo only	35397-005	35398-005		
	30249-017	30249-021		35397-006	35398-006		Obs.
	30249-021		GMC, Western Star	35397-007	35398-007		Obs.
30248-003	30249-003			35397-008	35398-008		Obs.
	30249-011		Volvo only	35397-009	35398-009		Obs.
	30249-015		Ford only	35397-010	35398-010		Obs.
30248-004	30249-004			45812-001	45813-001		International only
	30249-006	30249-004		45812-002	45813-002		
	30249-007		GMC only	45812-003	45813-003		
	30249-016	30249-004		45812-004	45813-004		
30248-005	30249-005			45812-005	45813-005		
	30249-012		Volvo only	45812-006	45813-006		
	30249-018	30249-005		45812-007	45813-007		
	30249-013	30249-013		45812-008	45813-008		
30248-006	30249-008						
30248-007	30249-013						
	30249-019		Ford only				

